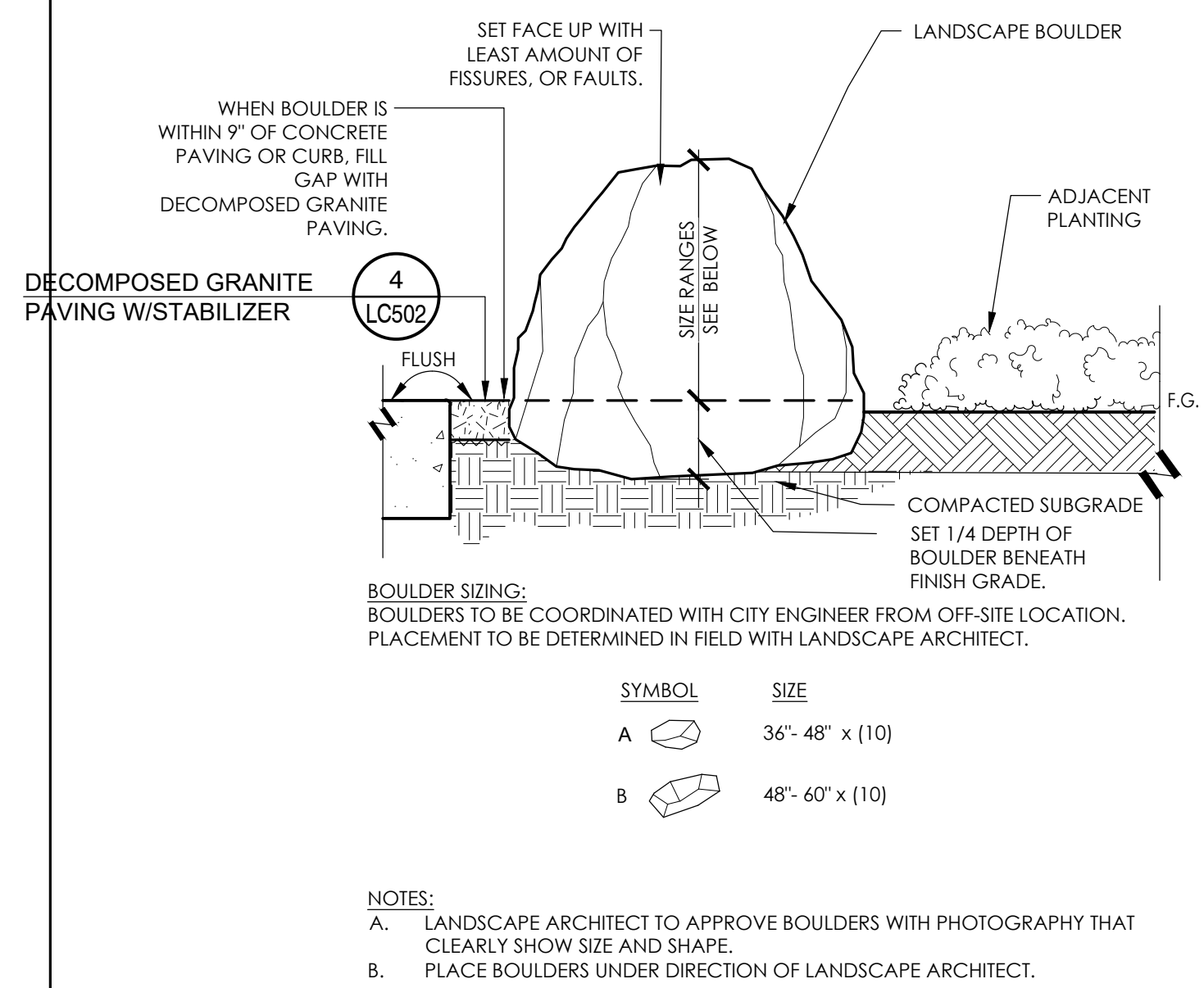


4 DECOMPOSED GRANITE PAVING W/STABILIZER
 1 1/2" = 1'-0"



3 BID ALTERNATE #DG2 - TYPICAL BOULDER PLACEMENT
 3/4" = 1'-0"

GENERAL NOTES

- OWNER FURNISHED PREFABRICATED SHADE SAIL DRAWINGS FOR PLANNING AND BIDDING PURPOSES, NOT FOR CONSTRUCTION.
- DUGOUT CANTILEVER SHADE STRUCTURE SHALL BE OWNER FURNISHED AND INSTALLED BY THE MANUFACTURER.

MANUFACTURER: SUPERIOR RECREATION PRODUCTS
 CONTACT: GOURLEY CONSTRUCTION, 462 APPIAN WAY, EL SOBRANTE, CA 94803
 510 2437445
 PACIFICPLAYGROUND@GMAIL.COM
 WEBSITE: PACIFICPLAYGROUND.COM

THE GENERAL CONTRACTOR IS RESPONSIBLE FOR THE SITE SURVEY AND STAKING THE BUILDING LOCATION, FINISHED SLAB SURVEY ELEVATIONS, TOP OF FOOTINGS ELEVATIONS AND MARKING THESE ON SITE. COORDINATING INSTALLATION SCHEDULE AND PROVIDING ACCESS TO THE SITE FOR INSTALLATION TRACTOR TRAILERS DELIVERING THE STRUCTURE, AND/OR OTHER EQUIPMENT REQUIRED FOR INSTALLATION. THE GENERAL CONTRACTOR IS RESPONSIBLE FOR INSTALLATION OF ANY AND ALL CONCRETE SLABS AND SIDEWALKS SHOWN IN PROJECT DOCUMENTS.

- THE GENERAL CONTRACTOR IS RESPONSIBLE FOR COORDINATION OF THE INSTALLATION AND DELIVERY SCHEDULE FOR PREFABRICATED STRUCTURES, VERIFICATION OF ACCESS REQUIRED FOR INSTALLATION, PROVIDING A CLEAR PATH OF TRAVEL BETWEEN THE ROADWAY AND THE FINAL LOCATION ON SITE AND ALL LAY DOWN AREA NEEDED.

Color Options

Frames
 Backed by a 5-year limited warranty.

- Red
- Orange
- Butterscotch
- Yellow
- Spring Green
- Chartreuse
- Light Green
- Green
- Sage
- Sky Blue
- Blue
- Persimmon
- Royal Purple
- Burgundy
- Beige
- Vanilla
- Brown
- Black
- White
- Champagne
- Metallic
- Bronze
- Starlight

Matte, Textured & Metallic

RainGuard Waterproof Shade Fabric
 Backed by a 10-year limited warranty.

- Tan
- White

Superior Shade

Traditional Fabric
 This selection of fabric colors are California Fire Marshal certified, fire retardant, and pass the NFPA 701 or ASTM E84 tests. Colors marked with an asterisk are available as both flame retardant and non-flame retardant. Backed by a 10-year limited warranty.

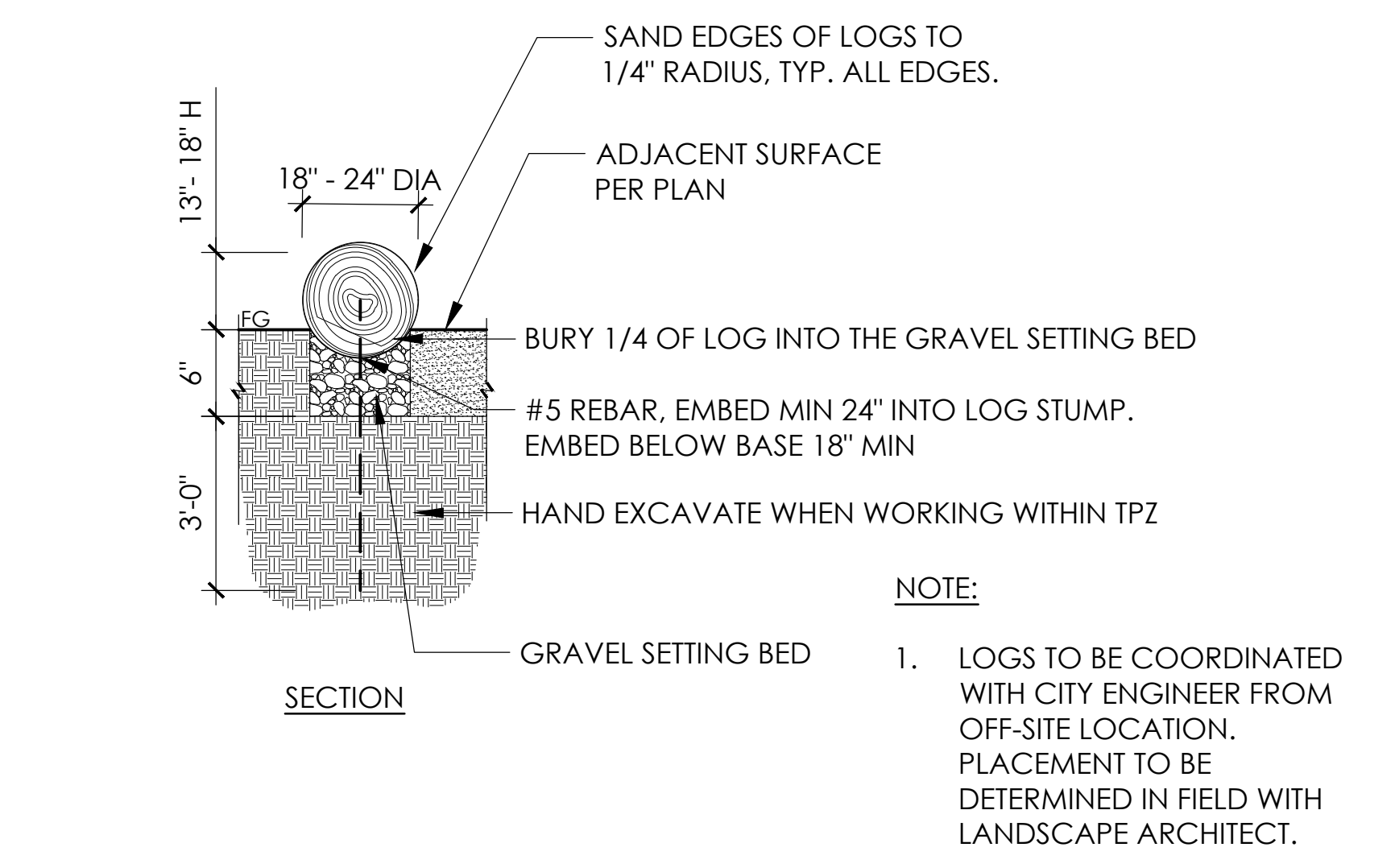
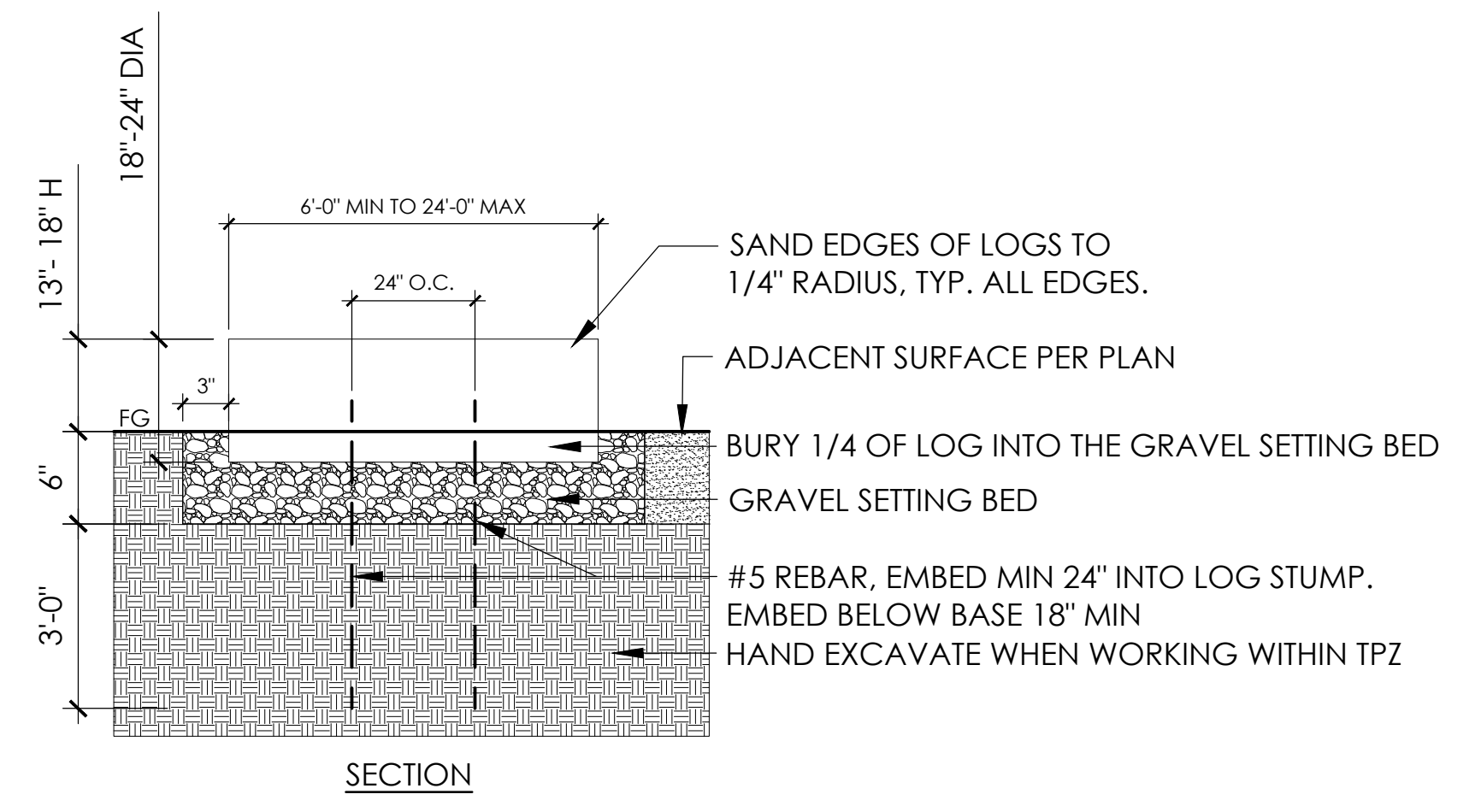
Natural* Shade Factor: 78.2% UV Blocking: 93%	Beige Shade Factor: 87% UV Blocking: 97%	NEW! Desert Sand* Shade Factor: 88% UV Blocking: 93%	Latte Shade Factor: 90% UV Blocking: 95%	Riverbump Green* Shade Factor: 88.7% UV Blocking: 92.9%	Lime Shade Factor: 79% UV Blocking: 96%
Mint Green Shade Factor: 93% UV Blocking: 95%	Ferns Green Shade Factor: 94% UV Blocking: 95%	Burnswick Green* Shade Factor: 94% UV Blocking: 94.7%	Turquoise* Shade Factor: 86% UV Blocking: 91.5%	True Blue Shade Factor: 89% UV Blocking: 92.3%	Sky Blue* Shade Factor: 89% UV Blocking: 92.2%
NEW! Aquatic Blue* Shade Factor: 85.6% UV Blocking: 91%	Navy Blue* Shade Factor: 93.6% UV Blocking: 94.4%	NEW! Royal Purple* Shade Factor: 87.7% UV Blocking: 91%	Sun Bleach Shade Factor: 91% UV Blocking: 94%	Copper* Shade Factor: 85.3% UV Blocking: 92.4%	Cedar* Shade Factor: 87.3% UV Blocking: 92.6%
Yellow* Shade Factor: 77.6% UV Blocking: 96.6%	Brown Shade Factor: 93% UV Blocking: 95%	Neat Chrys* Shade Factor: 90% UV Blocking: 94%	Silver Shade Factor: 93% UV Blocking: 95%	Steel Gray* Shade Factor: 90.9% UV Blocking: 94.3%	Midnight Shade Factor: 98% UV Blocking: 98%

Dual Shade Fabric
 Available for an upcharge for our Hyper Umbrella, Triangle Sail, and Hyperbolic Sail. Backed by a 10-year limited warranty.

Citrus Shade Factor: 87% UV Blocking: 91.5%	Sunburst Shade Factor: 78.2% UV Blocking: 90.6%	Macaw Shade Factor: 83.3% UV Blocking: 90.7%	Chameleon Shade Factor: 86.4% UV Blocking: 90.3%	Topaz Shade Factor: 86.8% UV Blocking: 90.6%	Amazonia Shade Factor: 91% UV Blocking: 92.4%
Savanna Shade Factor: 80.3% UV Blocking: 92.3%	Cobblestone Shade Factor: 80.3% UV Blocking: 93.8%	Gold Rush Shade Factor: 88.3% UV Blocking: 91.5%	Capri Shade Factor: 83.9% UV Blocking: 92.3%	Santorini Shade Factor: 83.3% UV Blocking: 92.2%	Maldives Shade Factor: 88.4% UV Blocking: 90.9%

2 REASONS TO CHOOSE FLAME RETARDANT FABRIC

- Helps meeting appropriate federal, state, and local building codes.
- Permanent and reliable flame retardant properties, as opposed to fabrics treated with fire additives in a post-production application.



1 BID ALTERNATIVE #DG2 - TYPICAL HORIZONTAL LOG PLACEMENT
 3/8" = 1'-0"

Dugout Cantilever Shade

Length	12'	Beam	12'	Entry Height	6'
Column Size	5'x5'x3'16"	Beam Size	6'x6'x3'16"	Spreader Size	92.87" 12-Ga
Column Length	9.5'	Column Mount	Base Plate		
Dome Qty:	1	Column Qty:	2		

Superior Shade

QUOTE	90427	SHADE SIZE	12 X 12	SHADE STYLE	Dugout Cantilever Shade
-------	-------	------------	---------	-------------	-------------------------

Notes: These drawings are for reference only and should not be used as construction details. They show the general character and rough dimensions of the structural features, exact sizes, materials, and foundations can be determined by a licensed professional engineer upon request. Estimated footing size above is based on ASD PIP soil bearing pressure.

2 SHADE SAIL, TYPICAL

Inch 1 0

rrm design group

rrmdesign.com | (510) 751-4910

THE INCLUDED DRAWINGS, SPECIFICATIONS, EXIST. DESIGNS AND ARRANGEMENTS REPRESENTED THEREBY ARE AND SHALL REMAIN THE PROPERTY OF RRM DESIGN GROUP AND NO PART THEREOF SHALL BE COPIED, REPRODUCED, EITHER OR USED IN CONNECTION WITH ANY WORK OR PROJECT OTHER THAN THE SPECIFIED PROJECT FOR WHICH THEY HAVE BEEN PREPARED AND CHECKED WITHOUT THE WRITTEN CONSENT OF RRM DESIGN GROUP. VERBAL CONTACT WITH THE DESIGNER OR SPECIFICATIONS SHALL CONSTITUTE CONCLUSIVE EVIDENCE OF ACCEPTANCE OF THESE RESTRICTIONS. SUBMITTAL OF THESE DOCUMENTS FOR PUBLIC AGENCY REVIEW SHALL NOT BE CONSIDERED A WAIVER OF RRM DESIGN GROUP'S RIGHTS.

RRM DESIGN GROUP COPYRIGHT 2024.
 RRM IS A CALIFORNIA CORPORATION

APPROVED BY: GC/YI DATE: 05/02/25

DESIGNED BY: GC/YI

DRAWN BY: YI/EH DATE: 5/29/25

CHECKED BY: MP

NO. DATE BY

ADDENDUM #3 REVISIONS

CITY OF LIVERMORE CALIFORNIA

COMMUNITY DEVELOPMENT DEPARTMENT - ENGINEERING DIVISION

City Project No. 2023-19

SPRINGTOWN OPEN SPACE DISC GOLF COURSE

CONSTRUCTION DETAILS

LC502

Sheet 82 Of 83

Scale: NTS